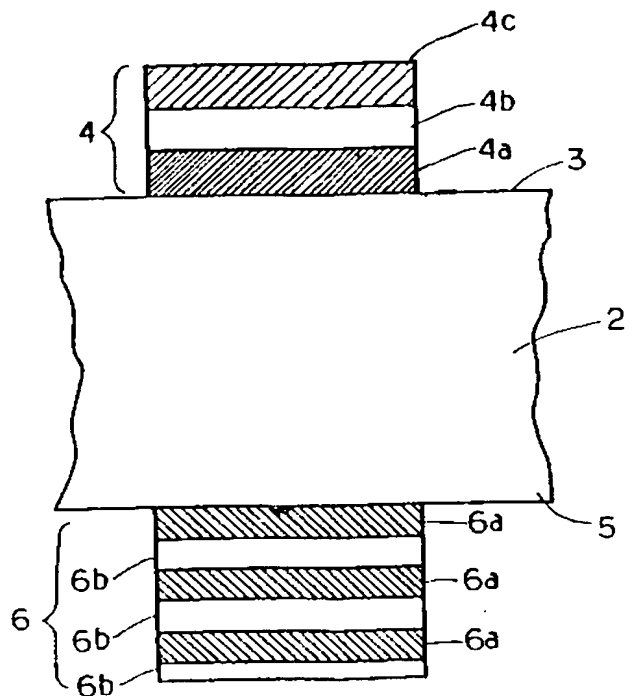


Patent Abstracts of Japan

PUBLICATION NUMBER : 60050022
 PUBLICATION DATE : 19-03-85
 APPLICATION DATE : 31-08-83
 APPLICATION NUMBER : 58159765

APPLICANT : TOYOTA MOTOR CORP;
 INVENTOR : KIMURA SADAHIRO;
 INT.CL. : B60J 7/043
 TITLE : MOON ROOF FOR AUTOMOBILE



ABSTRACT : PURPOSE: To keep the passenger compartment cool as well as to prevent a glare by providing an optical film onto the glass panel that reflects the infrared rays.

CONSTITUTION: The glass panel 2 of a moon roof 1 has on its exterior surface 3 an optical film 4 that presents no or little reflection to visible rays, and has on its interior surface 5 a thermic ray reflecting film 6. The film 4 has three layers of optical films, respectively consisting of an optical film 4a of cerium fluoride which is a matter having a low refractive index, an optical film 4b of zirconium oxide which is a matter having a high refractive index, and an optical film 4c of magnesium fluoride which is a matter having a low refractive index in the order from the top of the glass panel 2 to the exterior side. On the other hand, the thermic ray reflecting film 6 has six layers of optical films, in which titanium oxide film 6a having a high refractive index and silicon dioxide film having a low refractive index are alternatingly placed.

COPYRIGHT: (C)1985,JPO&Japio